

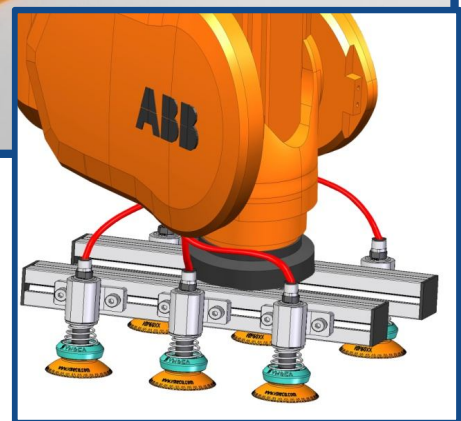
ISO 9001 CERTIFIED



Vacuum Technology

VMECA

SMART PLUNGERS



Smart Plungers



Features



[Plungers]

- Easy to maintenance – less down time.
- Easy and flexible mount on profile (T-slot)
- Durable material with light weight
- Long product life time
- Compact design
- Less slide friction (with ball bush)



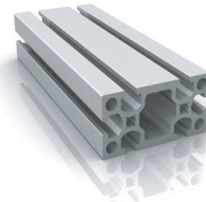
[Smart Cup]

- Easy assemble/disassemble
- No need tool for pad replace
- Saving cost
- Long product lifetime
- Ball joint integrated (wide angle)
- Good lifting force.
- Eco-friendly recycled products
- Various suction cup type and size available.

Your application for optimal performance,
Choose **Smart Plungers** – best solution!!



SPF 4040



SPF 4080



SPL Series
(Level Spring Type)



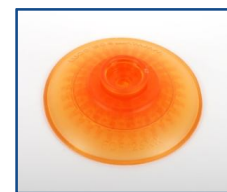
SPB Series
(Ball Joint Type + Level spring)



VDF Type
(Ø50, 60, 80, 100)



VBF Type
(Ø50, 60, 80, 100)



FCF Type
(Ø 50, 60, 70, 80, 100, 125)

SPL (Level Spring Type)



- Easy replace suction cup rubber
- Various spring stroke option available
- Less slide friction (with ball bush)
- Light weight and long lifetime (hard anodized aluminum)
- Compact size (tapered shape return spring)
- Easy installation and flexible mount
(Integral bracket with level spring plunger)

Order No.

SPL 20 - VDF 50 PU

①

① Model / Stroke	
SP 20	- 20 mm
SP 30	- 30 mm
SP 50	- 50 mm
SP 70	- 70 mm

②

② Suction cup	
VBF50PU	- Ø50
VBF60PU	- Ø60
VBF80PU	- Ø80
VBF100PU	- Ø100
FCF50PU	- Ø50
FCF60PU	- Ø60
FCF70PU	- Ø70
FCF80PU	- Ø80
FCF100PU	- Ø100
FCF125PU	- Ø125
VDF50PU	- Ø50
VDF60PU	- Ø60
VDF80PU	- Ø80
VDF100PU	- Ø100

SPB

(Ball Joint + Level Spring Type)



- Easy replace suction cup rubber
- Always return back to center position (wide ball-joint angle)
- Less slide friction (with ball bush)
- Light weight and long lifetime (hard anodized aluminum)
- Very compact size (compare with typical ball-joint mount)
- Easy installation and flexible mount
(Integral bracket with level spring plunger)

Order No.

SPB 20SB - VDF 50 PU

①

① Model / Stroke	
SP 20SB	- 20 mm

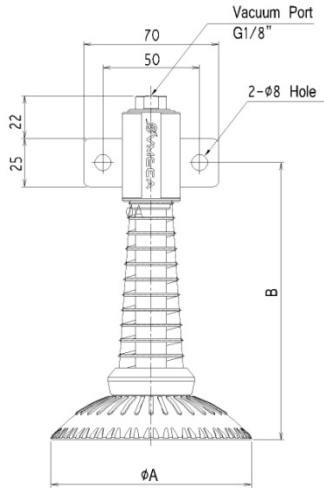
②

② Suction Cup	
VBF50PU	- Ø50
VBF60PU	- Ø60
VBF80PU	- Ø80
VBF100PU	- Ø100
FCF50PU	- Ø50
FCF60PU	- Ø60
FCF70PU	- Ø70
FCF80PU	- Ø80
FCF100PU	- Ø100
FCF125PU	- Ø125
VDF50PU	- Ø50
VDF60PU	- Ø60
VDF80PU	- Ø80
VDF100PU	- Ø100

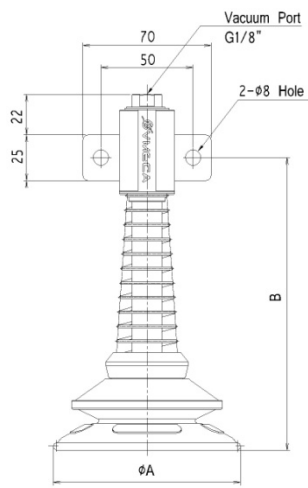
Dimensional information

SPL (Level Spring Type)

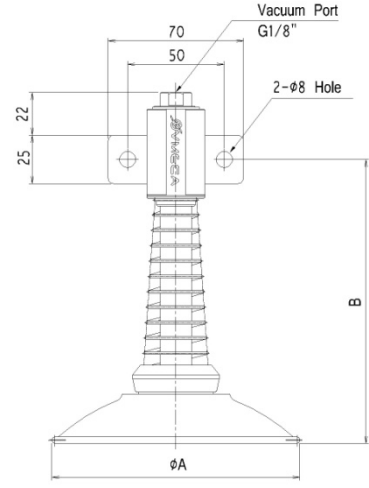
[Measure unit : mm]



[VDF Type]



[VBF Type]



[FCF Type]

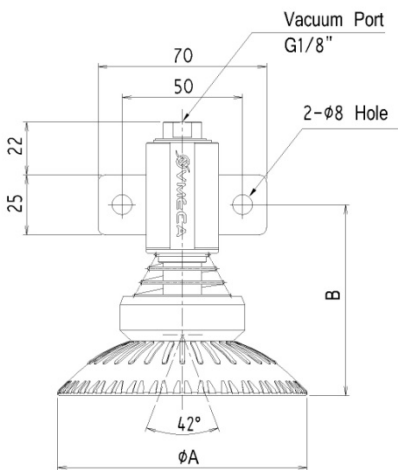
VDF (ØA)	Stroke (B)			
	20 Stroke	30 Stroke	50 Stroke	70 Stroke
50	71	92	112	134
60	74	95	115	137
80	77.6	98.6	118.6	140.6
100	80.3	101.3	121.3	143.3

VBF (ØA)	Stroke (B)			
	20 Stroke	30 Stroke	50 Stroke	70 Stroke
50	79.2	100.2	120.2	142.2
60	81	101.9	121.9	143.9
80	92.6	113.6	133.6	155.6
100	96.3	117.3	137.3	159.3

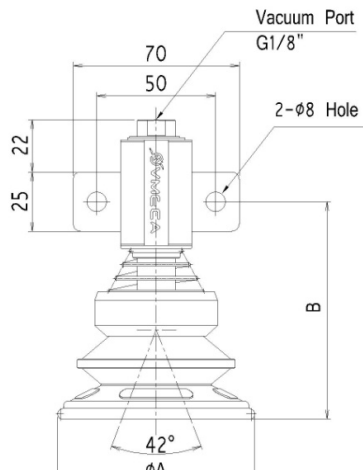
FCF (ØA)	Stroke (B)			
	20 Stroke	30 Stroke	50 Stroke	70 Stroke
50				
60				
70				
80	77.7	99	119	141
100	76.9	97.9	117.9	139.9
125	83.5	104.5	124.5	146.5

SPB (Ball Joint + Level Spring Type)

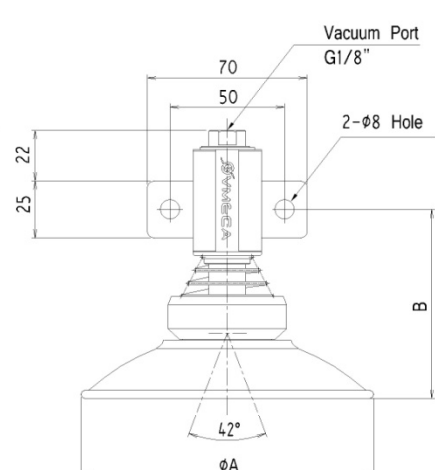
[Measure unit : mm]



[VDF Type]



[VBF Type]



[FCF Type]

VDF(ØA)	B	Stroke
50	70	20
60	73	
80	76.6	
100	79.3	

VDF(ØA)	B	Stroke
50	70	20
60	73	
80	76.6	
100	79.3	

FCF(ØA)	B	Stroke
50		20
60		
70		
80	77	
100	76	
125	82.5	

VBF Series (Bellows & Flat)

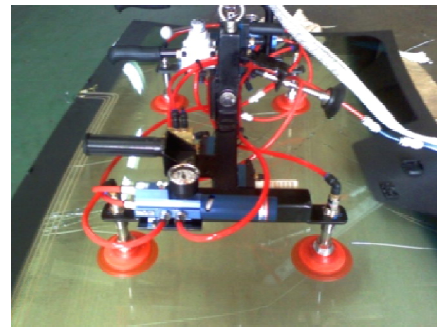
Features and Strengths

- ✓ Enhancing the adhesion to the surface
- ✓ Good lifting force can be achieved with this cup in the vertical plane
- ✓ Prevent transformation when lifting thin metal plate



Suitable for Handling

- Plywood · Carton box · Sheet metal
- Veneer sheets · Automotive panels and door



Order No.

VBF 80 PU

① | ②

① Model		
VBF 50	-	Ø 50
VBF 60	-	Ø 60
VBF 80	-	Ø 80
VBF 100	-	Ø 100

② Material	
PU	- Poly Urethane

Recommended (max.) lifting forces

Model	Volume (cm ³)	Lifting force (kg) - Perpendicular			Lifting force (kg) - Parallel		
		-20kPa	-60kPa	-90kPa	-20kPa	-60kPa	-90kPa
VBF50	11	4.18	13.2	16.28	2.09	9.6	14.7
VBF60	22	8.94	16.26	18.54	6.84	12.84	16.92
VBF80	59.5	11.92	21.68	24.72	9.12	17.12	22.56
VBF100	103.5	14.9	27.1	30.9	11.4	21.4	28.2

FCF Series (Flat Curve)

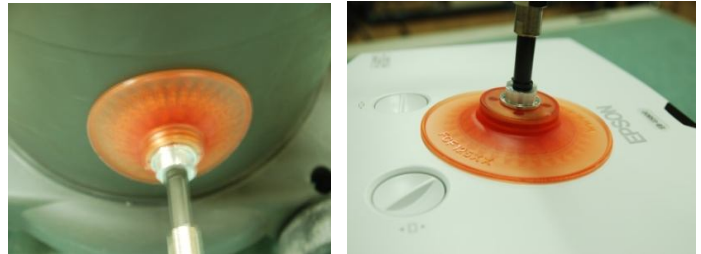
Features and Strengths

- ✓ Highest transmission of holding forces
- ✓ Highly wear-resistant PU material
- ✓ Especially on oily sheet metal handling
- ✓ Avoidance of deep-drawing, even with thin sheets



Suitable for Handling

- . Flat sheet metal . Press line
- . Veneer sheet . Automotive panels
- . Slightly curved surface



Order No.

FCF 80 PU

① | ②

① Model		
FCF 50	-	Ø 50
FCF 60	-	Ø 60
FCF 70	-	Ø 70
FCF 80	-	Ø 80
FCF 100	-	Ø 100
FCF 125	-	Ø 125

② Material	
PU	- Poly Urethane

Recommended (max.) lifting force

Model	Volume (cm ³)	Lifting force (kg) - Perpendicular			Lifting force (kg) - Parallel		
		-20kPa	-60kPa	-90kPa	-20kPa	-60kPa	-90kPa
FCF50							
FCF60							
FCF70							
FCF80	36.0	9	23	31	8	23	28
FCF100	58.0	14	35	48	12	32	45
FCF125	115.0	20	49	68	18	42	64

VDF Series (Deep Flat Curve)

Features and Strengths

- ✓ Good adjustment to different work-piece outlines
- ✓ Highest transmission of holding forces
- ✓ Highly wear-resistant PU material
- ✓ Especially on oily sheet metal handling
- ✓ Avoidance of deep-drawing, even with thin sheets



Suitable for Handling

- . Sheet metal
- . Carton box
- . Press line
- . Automotive panels and door
- . Concaved surface



Order No.

VDF 80 PU

① | ②

① Model		
VDF 50	-	Ø 50
VDF 60	-	Ø 60
VDF 80	-	Ø 80
VDF 100	-	Ø 100

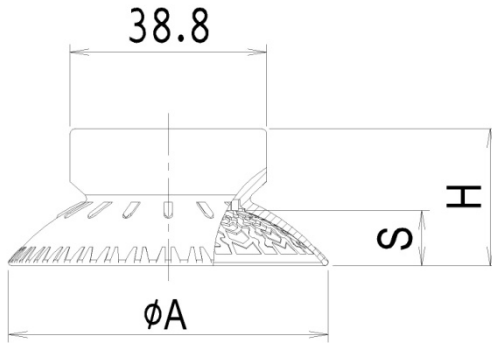
② Material	
PU	- Poly Urethane

Recommended (max.) lifting force

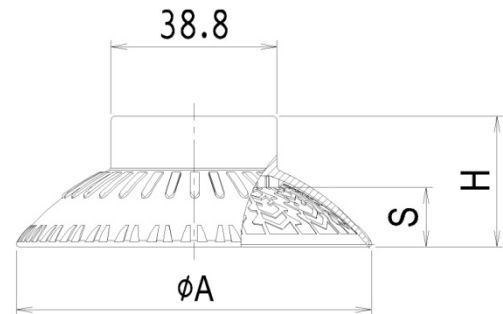
Model	Volume (cm ³)	Lifting force (kg) - Perpendicular			Lifting force (kg) - Parallel		
		-20kPa	-60kPa	-90kPa	-20kPa	-60kPa	-90kPa
VDF50	14	4.1	10.1	14	3.5	9.2	18.5
VDF60	24	5.6	13.7	19	4.3	3.8	24.5
VDF80	50.5	8.6	21.2	29.3	7.2	18.5	27
VDF100	94	12.6	30.8	41.7	12.3	28.2	39.6

Dimensional information

VDF

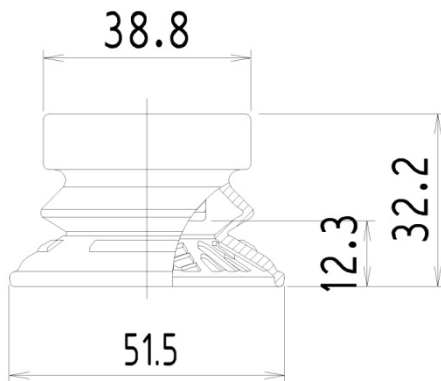


Model	ØA	S	H
VDF50	53	8.4	24
VDF60	63	10.9	27

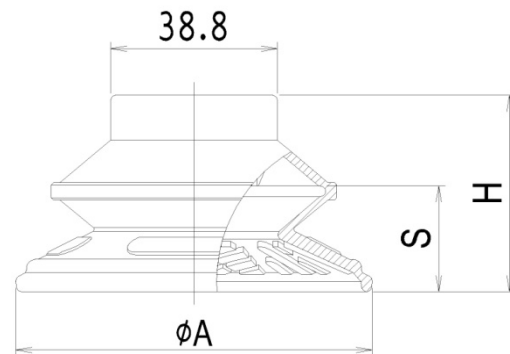


Model	ØA	S	H
VDF80	83	13.9	30.6
VDF100	103.7	17.3	33.3

VBF

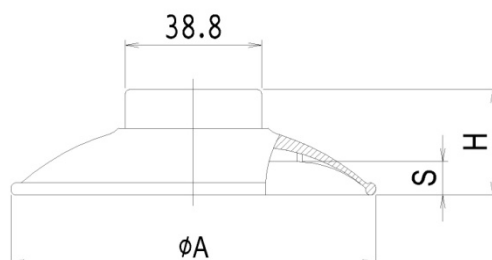


Model	ØA	S	H
VBF50	51.5	12.3	32.2



Model	ØA	S	H
VBF60	62.8	15.8	33.9
VBF80	83	24.5	45.6
VBF100	102	26	49.3

FCF

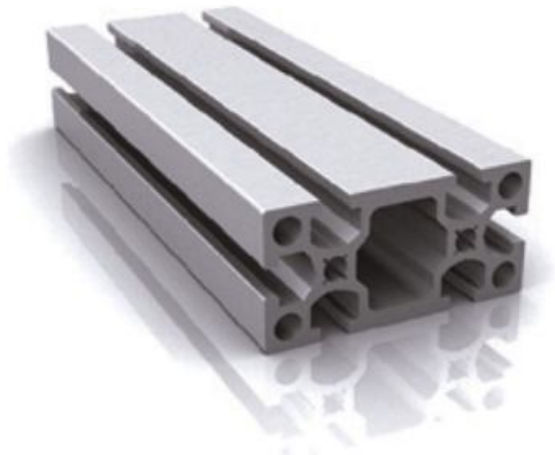


Model	A1	ST	H1
FCF 50			
FCF 60			
FCF 70			
FCF 80	82.5	7.6	31
FCF 100	104	9.5	29.9
FCF 125	128	13	36.5

SPF 4040



SPF 4080



Technical Data

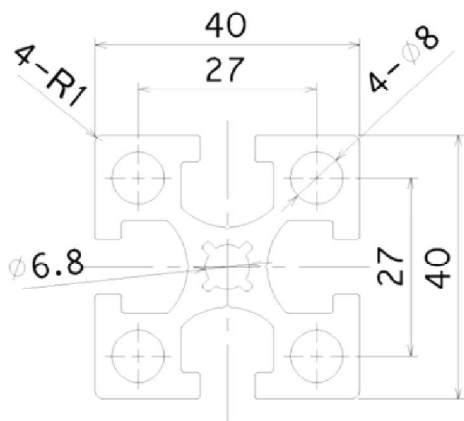
Material	- A6N01S-T5
Surface Processing	- Anodized
Weight	- 1.95kg/m
Section Area	- 720.4mm ²
Second Section Moment	- I _x = 11.4 x 10cm ⁴ I _y = 12.0 x 10cm ⁴
Specification	- 4,000mm / 6,000mm
Color	- Silver

Technical Data

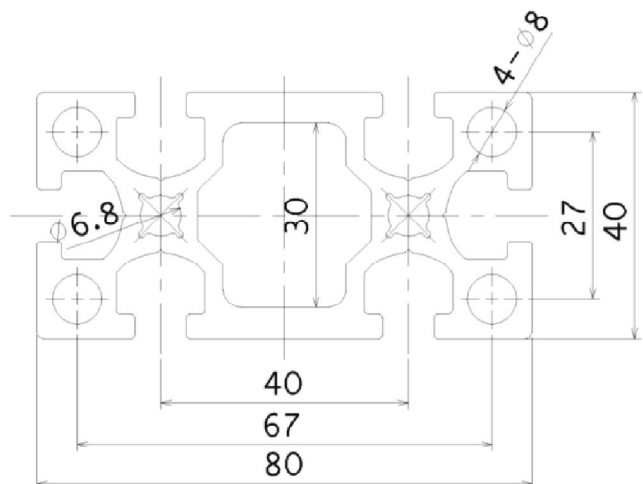
Material	- A6N01S-T5
Surface Processing	- Anodized
Weight	- 3.39kg/m
Section Area	- 1,251.8mm ²
Second Section Moment	- I _x = 22.5 x 10cm ⁴ I _y = 79.1 x 10cm ⁴
Specification	- 4,000mm / 6,000mm
Color	- Silver

Dimensional Information

SPF 4040



SPF 4080



[Measure unit : mm]

SBK 4035 (Bracket)



Technical Data	
Material	- ALDC – 8
Color	- Bright
Application	- 40mm (for profile connection)

SBK 4075 (Bracket)



Technical Data	
Material	- ALDC – 8
Color	- Bright
Application	- 40mm (for profile connection)

SBT - 08 (inc. Bolt, Nut)



Technical Data (Bolt)	
Material	- SCMM-440
Application	- 8mm (part for mounting)

Technical Data (Nut)	
Material	- ALDC – 8
Application	- 8mm (part for mounting)

SPC 4040, SPC 4080 (Profile Cover)



[SPC 4040]

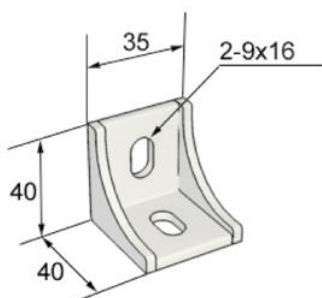


[SPC 4080]

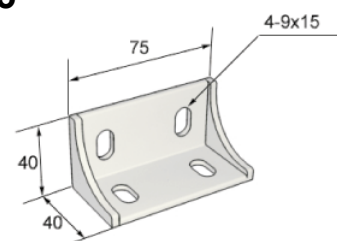
Technical Data		
제품	Application	Material
SPC 4040	4040 Profile frame connection	PVC / AL
SPC 4080	4080 Profile frame connection	PVC / AL

Dimensional information

SPB 4035



SPB 4075



[Measure unit : mm]



ASIA (HEAD QUARTER)	GERMANY	USA
VMECA/KPS CO.,Ltd.	Vtec Vakuumtechnik GmbH	Vtec USA Inc.
501-5 Doksan-1dong Geumchoen-gu Seoul 153-817, Korea Tel: +82-2-2617-5008(Rep.) Fax: +82-2-2617-5009 http://www.vmeca.com E-mail: vmeca@vmeca.com	Hafnerstrasse 28 D-72631 Aichtal-Neuenhaus, Deutschland Tel: +49(0)7127-8115730 Fax: +49(0)7127-8115731 http://www.vmeca.com E-mail: vtec@vmeca.com	1305 San Gabriel Blvd., Suite 203 Rosemead CA 91770 USA Tel: +1-213-258-7114(Rep.) Fax: +1-626-569-9978 http://www.vmeca.com E-mail: infousa@vmeca.com
·Argentina ·Australia ·Austria	·Belgium ·Brazil	·Canada ·China ·Colombia ·Czech
·Denmark ·Egypt ·France	·Hungary ·India	·Indonesia ·Iran ·Israel ·Italy
·Japan ·Lebanon ·Malaysia	·Mexico ·Netherlands	·New Zealand ·Norway ·Philippine ·Poland
·Spain ·Sweden ·Switzerland	·Taiwan ·Thailand ·Turkey	·UK